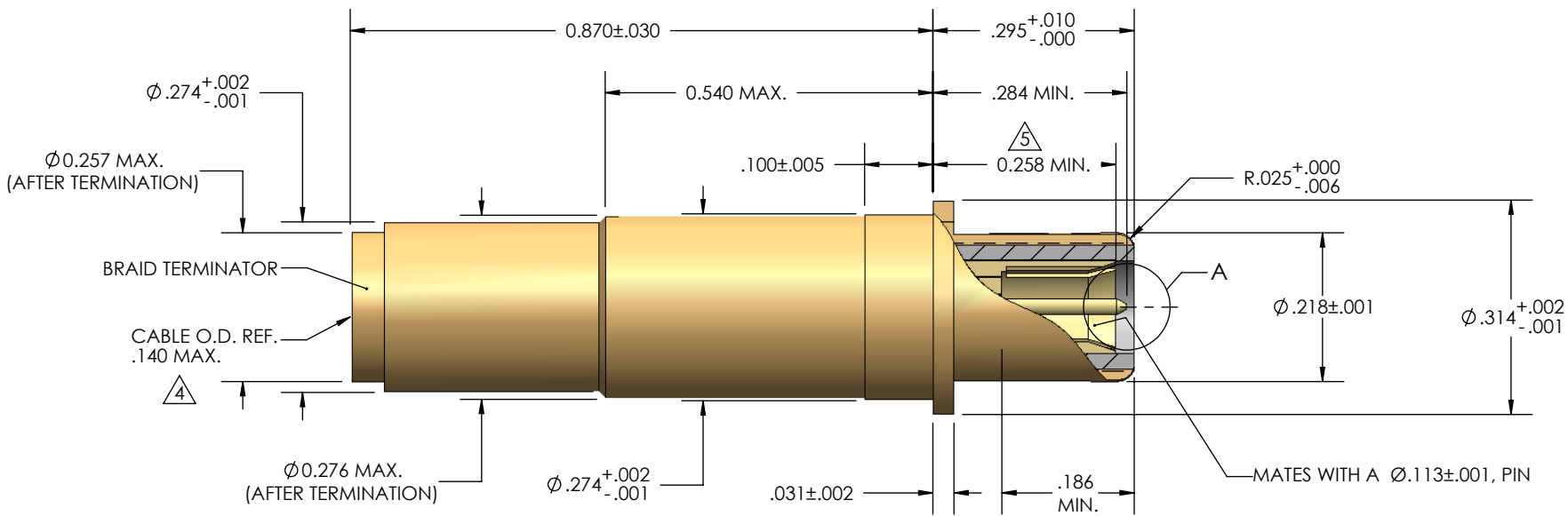


REVISIONS			
REV.	DESCRIPTION	DATE	APPROVED
A	Initial Release	01/31/11	D.D.

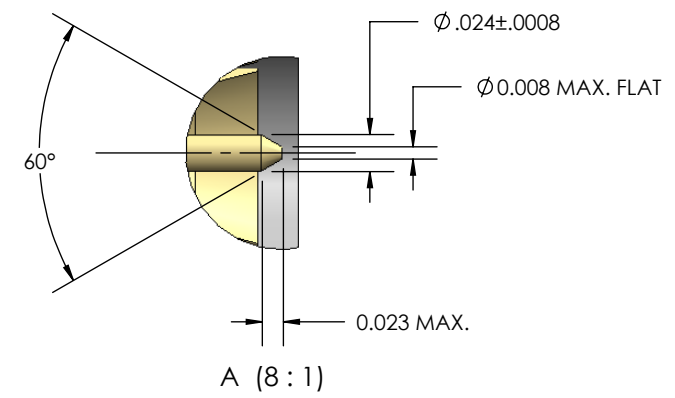


NOTES:

1. THIS CONTACT IS DESIGNED IN ACCORDANCE WITH SAE AS39029/90, FOR SIZE 8 CAVITY.
2. THIS CONTACT IS DESIGNED TO ACCOMODATE 22 THRU 26 AWG TWISTED PAIR.
3. MATES WITH PLI P/N : DB-0157, AND SAE AS39029/91.
4. ACCOMODATES CABLE O.D. REF. .140 MAX.
5. TO POINT OF ENGAGEMENT WITH A .113 BASIC DIAMETER PIN.

6. CONTACT CHARACTERISTICS:

- 6.1 MATERIALS:
  - 6.1.1 CONTACT MEMBERS: COPPER ALLOY PER ASTM B16 AND ASTM B196.  
PLATING: GOLD PER MIL-G-45204, CLASS 1,  
NICKEL PER AMS QQ-N-290 OVER COPPER FLASH.
  - 6.1.2 SPRING MEMBER: BERYLLIUM COPPER PER ASTM B-194.  
PLATING: NICKEL PER SAE-AMS-QQ-N-290.
  - 6.1.3 DIELECTRIC: ETFE FLUOROPOLYMER PER ASTM D3159.
  - 6.1.4 INSULATION SLEEVE: POLYVINYLIDENE FLUORIDE.
  - 6.1.5 SOLDER: SN63 PER ANSI/J-STD-006.  
FLUX: J-STD-004.
- 6.2 PERFORMANCE:
  - 6.2.1 OPERATING FREQUENCY: -65° TO +125°C.
  - 6.2.2 CURRENT RATING: 1.0 AMPS (INNER), 1.0 AMPS (MIDDLE), 12 AMPS (OUTER).
  - 6.2.3 VOLTAGE RATING: DIELECTRIC WITHSTANDING VOLTAGE, SEA LEVEL ALTITUDE.  
1000 VOLTS RMS MAX. (INNER TO MIDDLE).  
500 VOLTS RMS MAX. (MIDDLE TO OUTER)
  - 6.2.4 CONTACT RESISTANCE: 66 MILLIOHMS MAX. (INNER).
  - 6.2.5 OPERATING FREQUENCY: 0 TO 20 MHz (OPERATING FREQUENCY RANGE.).
  - 6.2.6 VOLTAGE RATING: 500 VOLTS RMS MAX. AT SEA LEVEL; 125 VOLTS @ 70,000 FEET.
  - 6.2.7 ENGAGEMENT FORCE MAX.: 18 OZ INITIAL, 22 OZ AFTER CONDITIONING (SOCKET CONTACTS ONLY).
  - 6.2.8 SEPARATION FORCE MIN.: 0.5 OZ INITIAL, 0.4 OZ AFTER CONDITIONING (SOCKET CONTACTS ONLY).
  - 6.2.9 MATING CONTACT: DB-0157 AND SAE-AS39029/91.



<p>PROPRIETARY NOTICE</p> <p>THE INFORMATION HEREON/HEREIN IS PROPRIETARY TO PHOENIX LOGISTICS, INC. IT SHALL NOT BE COPIED, DISCLOSED OR USED (PARTIALLY OR WHOLLY) IN ANY MANNER WITHOUT PRIOR EXPRESSED WRITTEN AUTHORIZATION OF PHOENIX LOGISTICS, INC. RETURN TO PHOENIX LOGISTICS, INC.</p>			 <p><b>PHOENIX LOGISTICS, INC.</b> 2507 West Geneva Drive Tempe, Arizona 85282 Tel: 602-231-8616 Fax: 602-273-9135 sales@phxlogistics.com http://www.phxlogistics.com</p>	
<p>TITLE: Contact, Size 8, Triax, Pin, Cable OD .140 MAX., for Connector MIL-C-38999 Series I, III, IV</p>				
DRAWN	M. MANGAN	01/31/11	FSCM NO. <b>OSCJ7</b>	PART NUMBER <b>DB-0156-1</b>
CHECKED	J. MAZENAUER	01/31/11		
APPROVED	D. DONG	01/31/11		